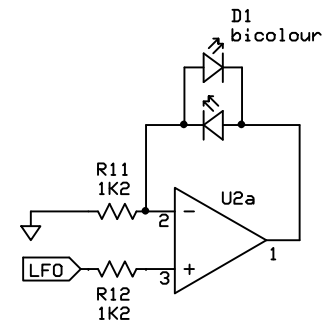
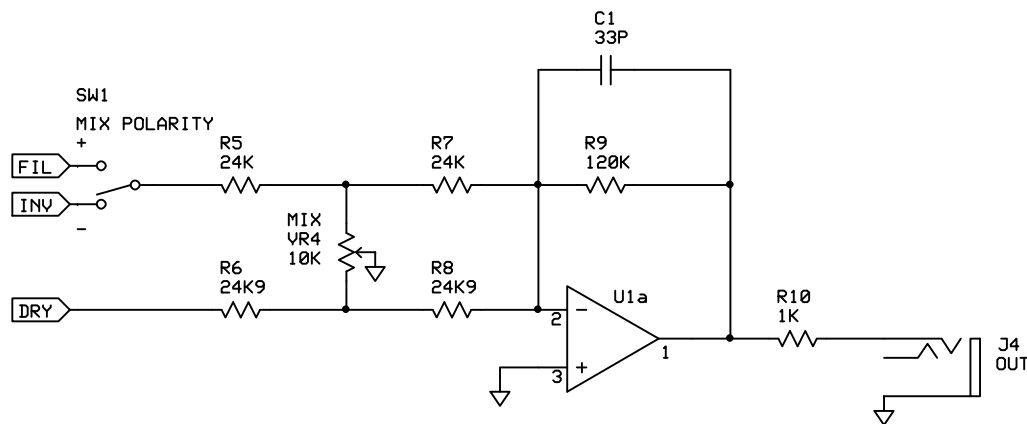
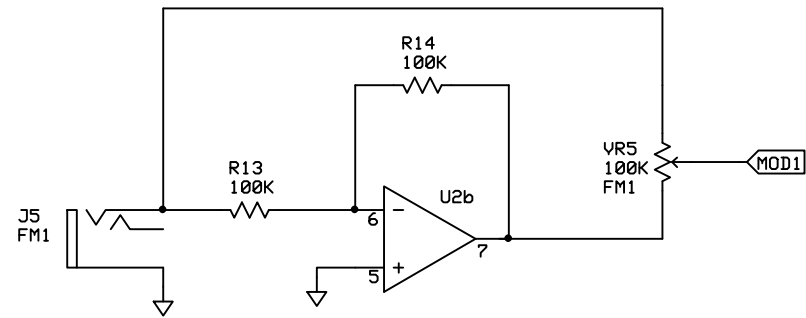
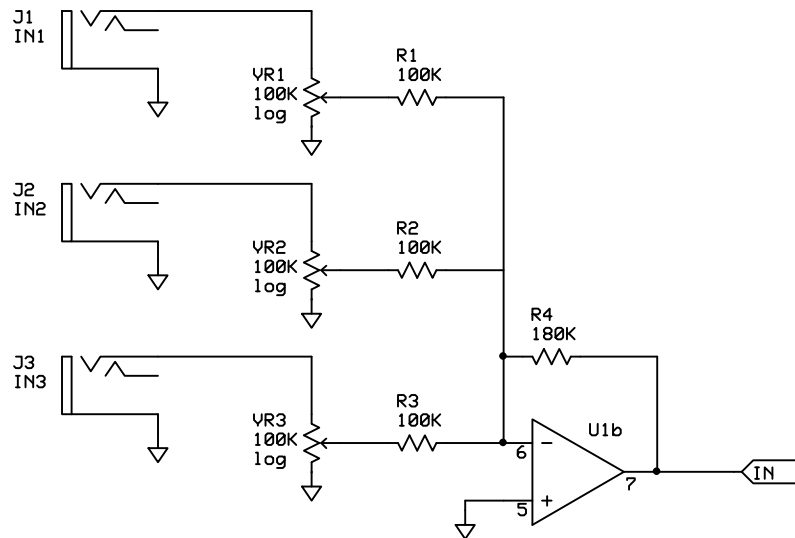


Part numbers in this box refer to components on the Varislope PCB and schematic

- R1
100K (was 51K) leave out R45, R46, R47, R48, R59, C16, Q1
~\~/~
- R2
100K (was 300K) skip R107 (output pot), R51 (input pot), R66 (mod3 pot), bypass switch
~\~/~
- R127
44K2 (was 10K) reuse R107 (output pot) for VR4 on mixer circuit below
~\~/~



Connects to junction of R175, R176, and R177

Additional circuitry built on MUUB
Part numbers refer to components on the MUUB