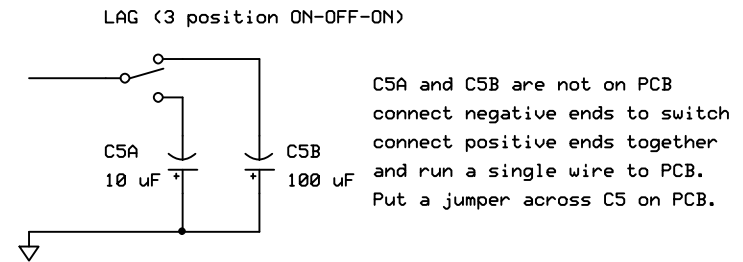
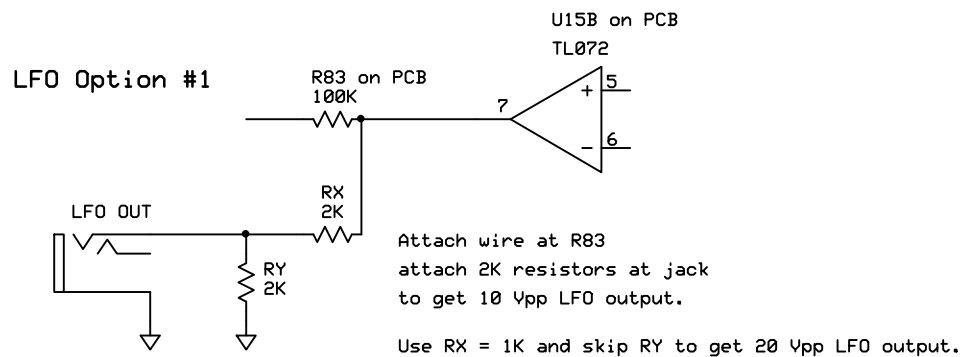


leave out C41 (470 pf) and C42 (1 nF)



Use RX = 1K and skip RY to get 20 Vpp LFO output.

